




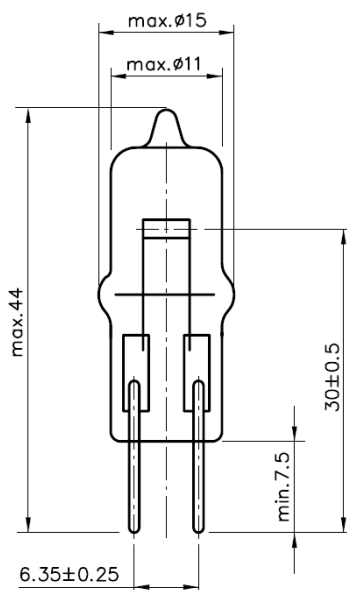
Medical

	Type SH5241 22,8V 50W G6,35-15
	Ordering - No. 55241
Product Description	Special Halogen Lamp
Features	Quartz Bulb, Exactly positioned Filament
Applications	Medical, Microscope, Analysis

Technical Details

Category	HLL
Rated Voltage (V)	22,8
Wattage (W)	max. 55
Luminous Flux (lm)	950 - 15%
Average Lifetime (h)	1000
Base	G6,35-15
Overall Length (mm)	max. 44
Bulb Diameter (mm)	max. 11
Light Center Length (mm)	30 ± 0,5
Operating Position	s90
Packaging Configuration	100 pcs.
Environmental Remark	Product don't contain lead or mercury and is conform with Directive 2002/95/EC "Restriction of the use of certain hazardous substances in electrical and electronic equipment".

Drawing (in mm)



valid from	05.03.2014—V2—PN14/0072
replace for	29.01.2013—V1
file	55241.100.pdf