

Technical Information

No. FO 4571

Edition: 02/05 - subject to change

supersedes: 05/02

Status: valid

Main Voltage Halogen Lamp

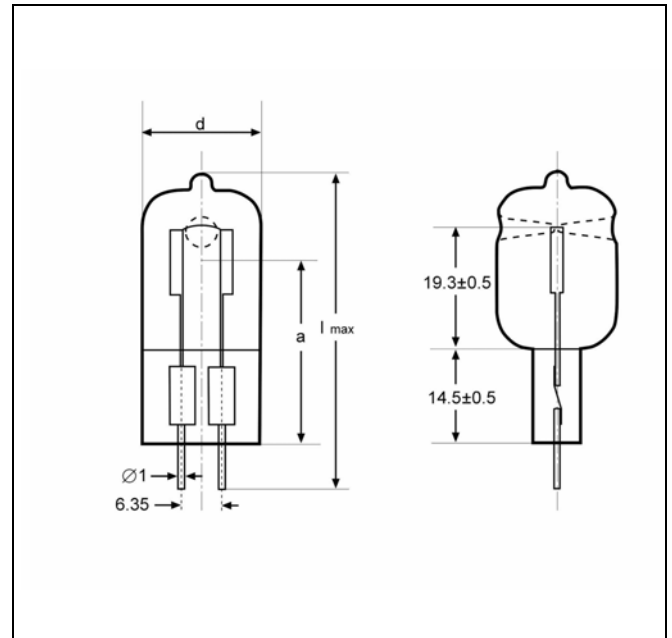
64514

■ Product description

Main voltage halogen lamp for photo-, movie- and video- luminaries and effect lighting.

■ Technical data

Order reference		64514
ANSI		-
LIF		CP/96
Voltage	V	120
Rated wattage	W	300
Luminous flux	lm	8100
Colour temperature	K	3200
Lamp length l	mm	max. 53
LCL a	mm	27 ± 1
Bulb diameter d	mm	max. 18.5
Filament dimensions (w x h)	mm	10.3 x 12.5
Type of filament		Dimple technology
Average service life	h	75
Base		GX 6.35



■ Required conditions of operation

Burning position		s90
Maximum permissible seal temperature	°C	450
Required protection		G-melt flow field 250V, quick, 4 A, DIN 41660 (CEE 4/IEC 127)