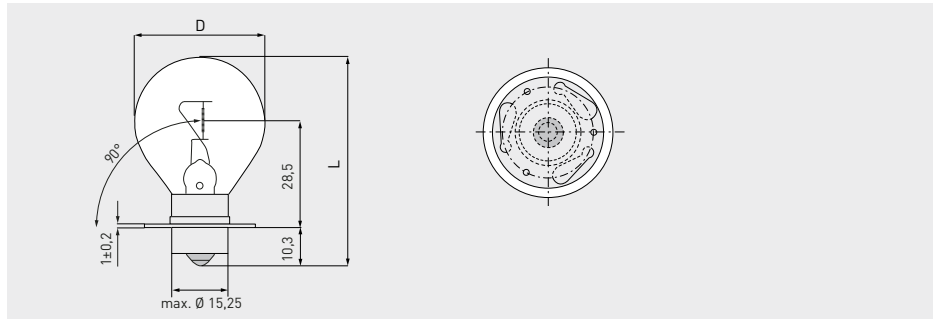
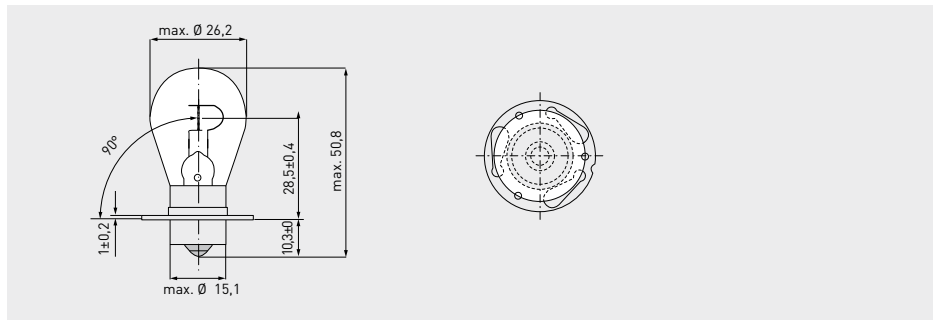


Standard lamps For light buoys

For special features, specific benefits and areas of use see page 76



Article no.	Description	V	W	Amperage	Cap	Bulb diameter D max. mm	Total length L max. mm	Light centre length mm	Luminous flux lm	Average life h	Individual life h (<2% malfunction)	Burning position	PU
00842258	12V 0.5A SX15s w. P30s-ring CC8 S11	12	6	0.5	P30s	35	58	28.5	85	1,000			
00842128	12V 0.5A SX15s w. P30s-ring CC8 S8	12	6	0.5	P30s	26.2	50.8	28.5	65	1,000			
00842295	12V 0.5A SX15s w. P30s-ring CC8 S8	12	6	0.5	P30s	26.2	58	28.5	85	1,000			
00842066	12V 1.0A SX15s w. P30s-ring CC8 S11	12	12	1.00	P30s	35	58	28.5	145	1,000			
00842397	12V 1.0A SX15s w. P30s-ring CC8 S8	12	12	1.00	P30s	26.2	50.8	28.5	145	1,000			
00842451	12V 1,9A SX15s w. P30s-ring CC8 S8	12	22.8	1.90	P30s	26.2	50	28.5	390	1,000			
00842069	12V 1,9A SX15s w. P30s-ring CC8 S11	12	22.8	1.90	P30s	35	58	28.5	390	1,000			
00842465	12V 3,0A SX15s w. P30s-ring CC8 S11	12	36	3.00	P30s	35	58	28.5	600	1,000			
00842071	12V 3,0A SX15s w. P30s-ring CC8 S11	12	36	3.00	P30s	35	60.3	28.5	600	1,000			
00842073	12V 5,0A SX15s w. P30s-ring CC8 S11	12	60	5.00	P30s	35	58	28.5	1,100	1,000			
00842287	12V 5,0A SX15s w. P30s-ring CC8 S11	12	60	5.00	P30s	35	58	28.6	900	1,000			



Article no.	Description	V	W	Amperage	Cap	Bulb diameter max. mm	Total length max. mm	Light centre length mm	Luminous flux lm	Average life h	Individual life h (<2% malfunction)	Burning position	PU
00842284	12V 0.5A SX15s/P30s-ring CC8 S8	12	6.6	0.55	P30s	26.2	50.8	28.5	100	500			
00842283	12V 1.0A SX15s/P30s-ring CC8 S8	12	12	1.00	P30s	26.2	50.8	28.5	200	500			
00842286	12V 2.0A SX15s/P30s-ring CC8 S8	12	24	2.00	P30s	26.2	50.8	28.5	360	500			
00842285	12V 3,0A SX15s/P30s-ring CC8 S8	12	36	3.00	P30s	26.2	50.8	28.5	600	500			

Signal lamps for the water

Medical lamps

Photo, studio and stage lamps

Domestic lamps

Other special lamps