

**JCR**

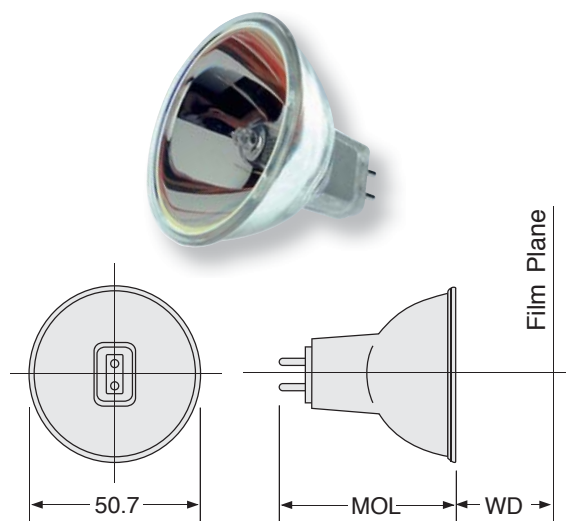
- Focused Beam for Optical Applications
- Only for Use in Approved Enclosed Halogen Fixtures
- 2-Pin Base - GX5.3
- 50mm Dichroic Coated Reflector



Watts	Ushio Ordering Code	Ushio Lamp Description	Dimensions MOL mm	Reflector Type	Filament Type	Working Distance mm	Luminous Intensity cd	Center Screen Illuminance lx	Color Temp K	Avg Life h	Burn Position
<b>2-Pin Base – GX5.3 Base</b>											
30	1000315	EKZ, JCR10.8V-30W	44.5	Specular	CC-6	38.1	—	400	3100	200	BD/Hor
30	1000538	FJX, JCR13.8V-30W*	44.5	Faceted	CC-6	108	—	—	3150	500	BD/Hor
35	1000344	EPN, JCR12V-35W	44.5	Specular	C-6	9.0	—	350	3300	50	BD/Hor
42	1000346	EPT, JCR10.8V-42W	44.5	Faceted	CC-6	38.1	—	250	2900	8000	BD/Hor
50	1000335	ENL, JCR12V-50W	44.5	Faceted	C-6	38.1	2000	—	3000	4000	Univ
50	1000197	DJT, JCR13.8V-50W	44.5	Faceted	CC-6	152.0	—	538	3150	1000	BD/Hor
50	1000350	EPZ, JCR13.8V-50W	44.5	Specular	CC-6	108	—	—	3150	1000	BD/Hor
50	1000546	FML, JCR13.8V-50W	44.5	Faceted	CC-6	214.3	—	230	3150	1000	Univ
50	1000339	ENZ, JCR30V-50W	44.5	Specular	CC-6	29.0	—	650	3400	25	BD/Hor
80	1000172	DDK, JCR19V-80W*	44.5	Stippled	C-8	152.4	—	—	3300	40	BD/Hor
80	1000174	DDM, JCR19V-80W	44.5	Faceted	CC-6	152.4	—	680	3350	50	BD/Hor
80	1000303	EJY, JCR19V-80W	44.5	Specular	CC-6	38.1	—	—	3400	25	BD/Hor
80	1000307	EKG, JCR19V-80W	44.5	Specular	CC-6	44.5	—	700	3400	25	BD/Hor
80	1000336	ENW/ENC, JCR19V-80W	44.5	Specular	CC-6	44.5	—	600	3200	400	BD/Hor
80	1000177	DDS, JCR21V-80W	44.5	Faceted	CC-6	165.0	—	646	3125	500	BD/Hor
80	1000312	EKP, JCR30V-80W	44.5	Faceted	CC-6	44.5	—	750	3400	25	BD/Hor
80	1000317	ELB, JCR30V-80W	44.5	Specular	CC-6	29.0	—	900	3400	15	BD/Hor
85	1000180	DED, JCR13.8V-85W	44.5	Specular	C-8	165.0	—	1000	3150	1000	BD/Hor
90	1000347	EPV, JCR14.5V-90W	44.5	Stippled	CC-6	155.2	—	1345	3150	500	BD/Hor
90	1000349	EPX, JCR14.5V-90W	44.5	Stippled	CC-6	165.1	—	538	3150	500	BD/Hor
100	1000326	EMC, JCR12V-100W	44.5	Faceted	CC-6	26.5	—	—	3200	200	BD/Hor
100	1000420	EXV, JCR12V-100W	44.5	Faceted	C-6	—	4500	—	3350	50	BD/Hor
120	1000311	EKN, JCR17.7V-120W	44.5	Specular	CC-6	38.1	—	1000	3200	120	BD/Hor

\* Special Order Item

Center Screen Illuminance - Approximate value for reference only



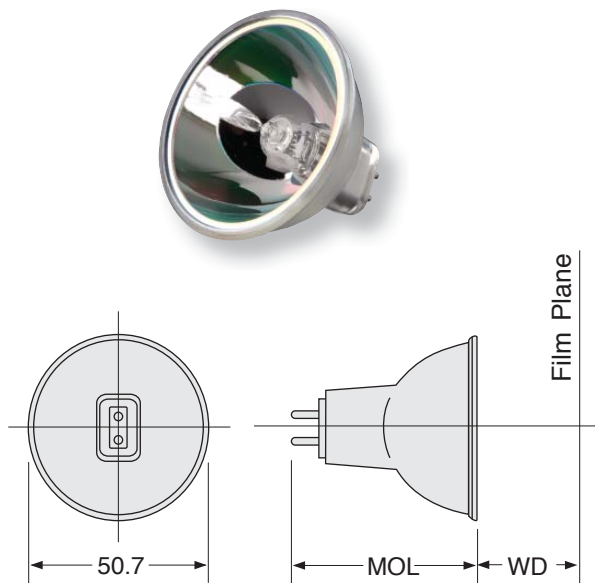
GX5.3

**JCR**

- Focused Beam for Optical Applications
- Only for Use in Approved Enclosed Halogen Fixtures
- 2-Pin Base - GX5.3
- 50mm Dichroic Coated Reflector

Watts	Ushio Ordering Code	Ushio Lamp Description	Dimensions	Reflector Type	Filament Type	Working Distance mm	Luminous Intensity cd	Center Screen Illuminance lx	Color Temp K	Avg Life h	Burn Position
			MOL mm								
<b>2-Pin Base – GX5.3 Base</b>											
150	1000173	DDL, JCR20V-150W	44.5	Faceted	CC-6	194.5	—	400	3150	500	BD/Hor
150	1001628	EKE/HO, JCR21V-150W	44.5	Specular	CC-6	43.0	—	—	3250	200	BD/Hor
150	1000297	EJA, JCR21V-150W	44.5	Specular	CC-6	28.0	—	—	3400	40	BD/Hor
150	1000301	EJM, JCR21V-150W	44.5	Specular	CC-6	38.1	—	—	3400	40	BD/Hor
150	1000302	EJV, JCR21V-150W	44.5	Specular	CC-6	44.5	—	1500	3400	40	BD/Hor
150	1000306	EKE, JCR21V-150W	44.5	Specular	CC-6	44.5	—	900	3250	200	BD/Hor
150	1003370	EKE/L, JCR21V-150W 10H/5	44.5	Specular	CC-6	—	—	—	—	1000	BD
150	1000319	ELD/EJN, JCR21V-150W	44.5	Stippled	CC-6	50.8	—	320	3400	40	BD/Hor
150	1002247	ELD/K, JCR21V-150W	44.5	Stippled	CC-6	165.0	—	—	3400	40	BD/Hor
200	1000300	EJL, JCR24V-200W	44.5	Specular	CC-6	31.7	—	1100	3400	50	BD/Hor
200	1000314	EKX, JCR24V-200W	44.5	Stippled	CC-6	139.7	—	—	3400	25	BD/Hor
225	1003034	EZF/K, JCR69V-225W	44.5	Faceted	CC-8	152.4	—	500	—	500	BD/Hor
250	1000318	ELC, JCR24V-250W	44.5	Specular	CC-6	31.7	—	1500	3400	50	BD/Hor
250	1003106	ELC-3, JCR24V-250W	44.5	Specular	CC-6	31.8	—	960	3400	300	BD/Hor
250	1003264	ELC-5, JCR24V-250W	44.5	Specular	CC-6	31.8	—	960	3400	500	BD/Hor
250	1001037	ELC/C, JER24V-250W	44.5	Specular	CC-6	31.8	—	800	3400	50	BD/Hor

Center Screen Illuminance - Approximate value for reference only



GX5.3

**JCR**

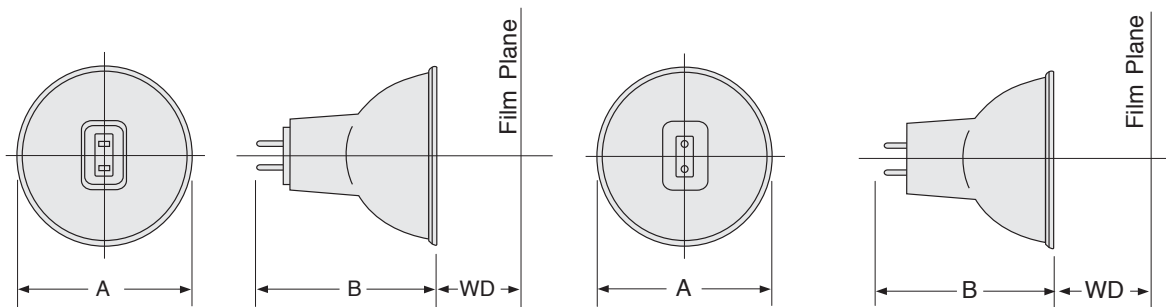
- Focused Beam for Optical Applications
- Only for Use in Approved Enclosed Halogen Fixtures
- Oval 2-Pin Base - GY5.3, 2-Pin Base - GZ6.35
- 50mm Dichroic Coated Reflector

● Operate Base Down to Horizontal



Watts	Ushio Ordering Code	Ushio Lamp Description	Dimensions mm		Reflector Type	Filament Type	Working Distance mm	Color Temp K	Avg Life h	Burn Position
			Dia (A)	MOL (B)						
<b>Oval 2-Pin Base – GY5.3</b>										
85	1000357	ESH, JCR82V-85W	50.67	44.5	Stippled	CC-8	152.0	2950	250	BD/Hor
85	1000358	ESJ, JER82V-85W	50.67	44.5	Specular	CC-8	32.0	3350	40	BD/Hor
150	1000356	ESD, JCR120V-150W	50.67	44.5	Stippled	CC-8	44.5	3350	12	BD/Hor
150	1000940	JCR120V-150W/B	50.67	44.5	Stippled	CC-8	—	3050	100	BD/Hor
200	1000441	EYA, JCR82V-200W	50.67	44.5	Faceted	CC-8	38.1	3300	50	BD/Hor
250	1000386	EVW, JCR82V-250W	50.67	44.5	Faceted	CC-8	298.5	3300	50	BD/Hor
250	1000333	ENH, JCR120V-250W	50.67	44.5	Faceted	CC-8	152.4	3250	175	BD/Hor
250	1000379	ETJ, JCR120V-250W	50.67	44.5	Specular	CC-8	36.5	3250	175	BD/Hor
250	1000422	EXX, JCR120V-250W*	50.67	44.5	Stippled	CC-8	298.5	3300	75	BD/Hor
300	1000321	ELH, JCR120V-300W	50.67	44.5	Stippled	CC-8	154.3	3350	35	BD/Hor
300	1000332	ENG, JCR120V-300W	50.67	44.5	Stippled	CC-8	152.4	3450	15	BD/Hor
300	1000458	EYK, JCR120V-300W	50.67	44.5	Specular	CC-8	31.7	3300	60	BD/Hor
360	1000542	FLE, JCR82V-360W U/D	50.67	44.5	Faceted	CC-8	209.6	3300	75	BD/Hor
360	1000337	ENX, JCR82V-360W	50.67	44.5	Faceted	CC-8	298.5	3300	75	BD/Hor
360	1000338	ENX-5, JCR86V-360W	50.67	44.5	Faceted	CC-8	298.5	3300	75	BD/Hor
410	1000636	FXL, JCR82V-410W	50.67	44.5	Faceted	CC-8	298.5	3300	75	BD/Hor
<b>2-Pin Base – GZ6.35</b>										
50	1000268	EFM, JCR8V-50W*	49.7	42.0	—	C-6	32.0	3350	50	BD/Hor
75	1000270	EFN, JCR12V-75W	50.0	42.0	Specular	C-6	32.0	3400	50	BD/Hor
100	1000271	EFP, JCR12V-100W	50.0	42.0	Specular	C-6	32.0	3400	50	BD/Hor
100	1003003	JCR12V-100W/H10	50.0	42.0	Specular	C-8	36.0	3100	1000	BD/Hor
150	1000272	EFR, JCR15V-150W	50.0	42.0	Specular	C-8	32.0	3400	50	BD/Hor

\* Special Order Item



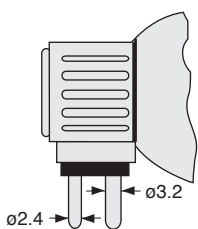
GY5.3

GZ6.35

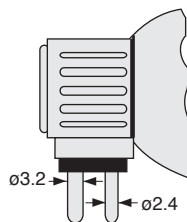
JCR

- Only for Use in Approved Enclosed Halogen Fixtures
- Operate in Horizontal Position
- 2-Pin Vented Base - G7.9
- 2-Pin Vented Base - GX7.9
- 45mm & 57mm Dichroic Coated Reflector

Watts	Ushio Ordering Code	Ushio Lamp Description	Dimensions mm			Reflector Type	Filament Type	Working Distance mm	Color Temp K	Avg Life h	Burn Position
			Dia (A)	MOL (B)	Ref. (C)						
<b>MR-14 &amp; MR-18, 2-Pin Vented Base – G7.9 Line Voltage</b>											
150	1000206	DNE, JCR120V-150W	57.2	49.9	15.9	Specular	CC-8	69.1	3350	12	Horiz
250	1000057	BHB, JCR120V-250W	44.5	47.5	15.9	Specular	CC-8	65.8	3400	50	Horiz
<b>MR-18, 2-Pin Vented Base – GX7.9 Low Voltage</b>											
150	1000207	DNF, JCR21V-150W	57.2	45.1	15.9	Specular	CC-6	69.1	3400	25	Horiz
150	1000325	ELZ, JCR21V-150W	57.2	45.1	15.9	Specular	CC-6	69.1	3350	60	Horiz



G7.9



GX7.9

