

This document contains confidential and proprietary information of PerkinElmer, Inc. The contents shall not be disclosed, reproduced, duplicated, disseminated or used for purposes other than authorized in writing by PerkinElmer, Inc.

REVISIONS				
ZONE	REV	DESCRIPTION	DATE	APPROVED
	X1	ENGR RELEASED	5/21/99	J. KISS
	X2	CHANGING NOTES PER ENGR	6/8/99	J. KISS
	X3	CHANGING NOTES PER ENGR	6/14/99	J. KISS
	X4	REMOVED TIMER	1/18/00	J. KISS
	X5	CHANGED LX TO PE	08/13/01	M. I.
C4	X6	OVERALL HEIGHT WAS 4.60, IS 4.645±.020	07/08/05	K. TONG
B3	X7	[93.47] WAS [92.47]	04/21/08	M. IGUCHI

NOTES:

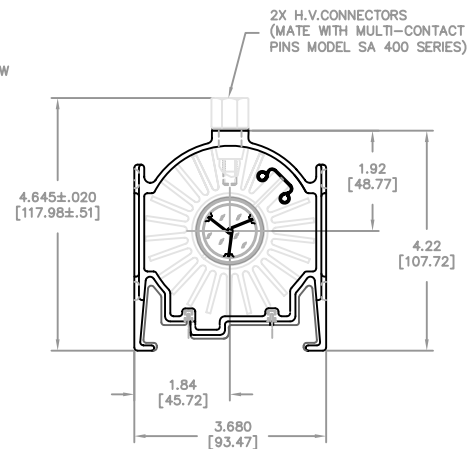
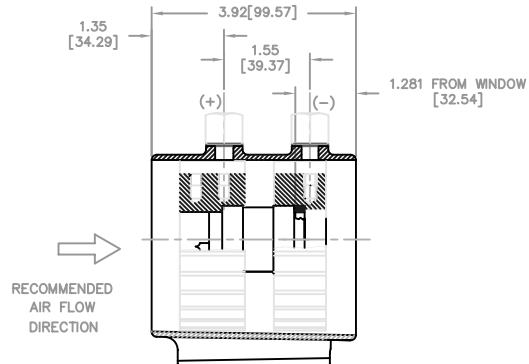
- THIS DRAWING APPLIES TO MODEL NUMBER:
PE125BFM, PE125BUVM, PE175BFM, PE175BUVM
PE300BFM AND PE300BUVM.
- DIMENSIONS IN BRACKETS ARE IN MILLIMETERS.
- LAMP MODULE SPECIFICATIONS:

ENVIRONMENTAL:
OPERATING TEMPERATURE 6°-45°C
STORAGE TEMPERATURE -40°-70°C
RELATIVE HUMIDITY 30°-85° NON-CONDENSING.
MECHANICAL:
HOUSING = 6/6 20% GLASS FILLED NYLON (UL94V0)
HEATSINK = EXTRUDED ALUMINUM
WEIGHT = 1.75 LBS (.77 KG)
OTHER:
AIR FLOW REQUIREMENT: 35CFM MIN. AT EXIT END OF MODULE
LAMP = SEE LAMP TABLE
COMPATIBLE EQUIPMENT = SEE CERMAX PRODUCT MATRIX

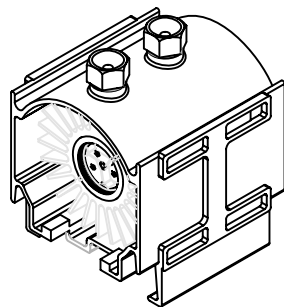
- LAMP TABLE (SEE SEPARATE LAMP SPECIFICATION DRAWINGS):

LAMP
PE125BF
PE125BUV
PE175BF
PE175BUV
PE300BF
PE300BUV

- ALL SPECIFICATIONS ARE SUBJECT TO CHANGE WITHOUT NOTICE. WARRANTY AND TERMS TO BE QUOTED SEPARATELY.



2X H.V.CONNECTORS
(MATE WITH MULTI-CONTACT
PINS MODEL SA 400 SERIES)



INTERFACE CONTROL DRAWING

UNLESS OTHERWISE SPECIFIED DIMENSIONS ARE IN INCHES TOLERANCES ARE:		CONTRACT NO.		PerkinElmer Optoelectronics SHORT ARC LIGHTING, SUNNYVALE 399 W. John Drive, Sunnyvale, CA, 94089, U.S.A.	
FRACTIONS 24/64	DECIMALS .001 ± .02	APPROVALS	DATE	TITLE	
ANGLES .001 ± .005	± 1°	DRAWN BY HANH C	5/21/99	CERMAX	
SURFACE ROUGHNESS: 125		CHECKED		LAMP MODULE ASSEMBLY	
MATERIAL		DATE	5/21/99	SIZE	SCALE NONE
FINISH		DATE	5/21/99	CAGE CODE	DWG. NO.
				D 31573	224694
				DO NOT SCALE DIMENSIONS	SHEET 1 OF 1