



## Railway Signaling



**Type RS6812**  
**12V 10/10W BA20d**

**Ordering – No.**  
**46812**

### Product Description

Signaling Lamp

### Features

Double Filament

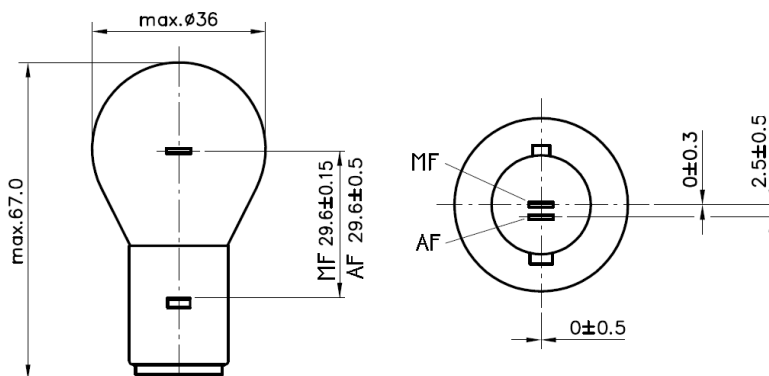
### Applications

Railway Signal

## Technical Details

Type	RS6812	
Rated Voltage (V)	12	
Wattage (W) (MF/AF)	(at 0,85A)	max. 11,0 / 11,0
Luminous Flux (lm) (MF/AF)	140/140	
Average Lifetime (h) (MF/AF)	600/50	
Base	BA20d	
Maximum Overall Length (mm)	max. 67,0	
Bulb Diameter (mm)	max. 36,0	
Light Center (mm)	MF	29,6 ± 0,15
	AF	29,6 ± 0,5
Filament Distance (mm)	2,5 ± 0,5	
Packaging Configuration	200 pcs.	
Environmental Remark	Product don't contain lead or mercury and is conform with Directive 2011/65/EC "Restriction of the use of certain hazardous substances in electrical and electronic equipment".	

## Drawing (in mm)



valid from	04.03.2014—V2—PN14/0072
replace for	28.01.2013—V1
file	46812.100.pdf